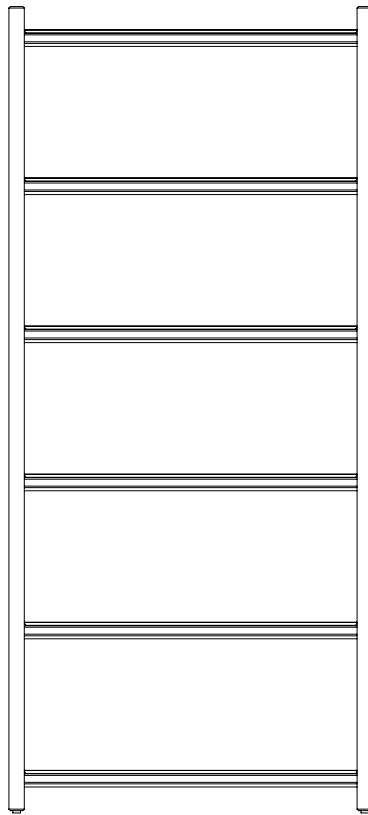


normann

C O P E N H A G E N

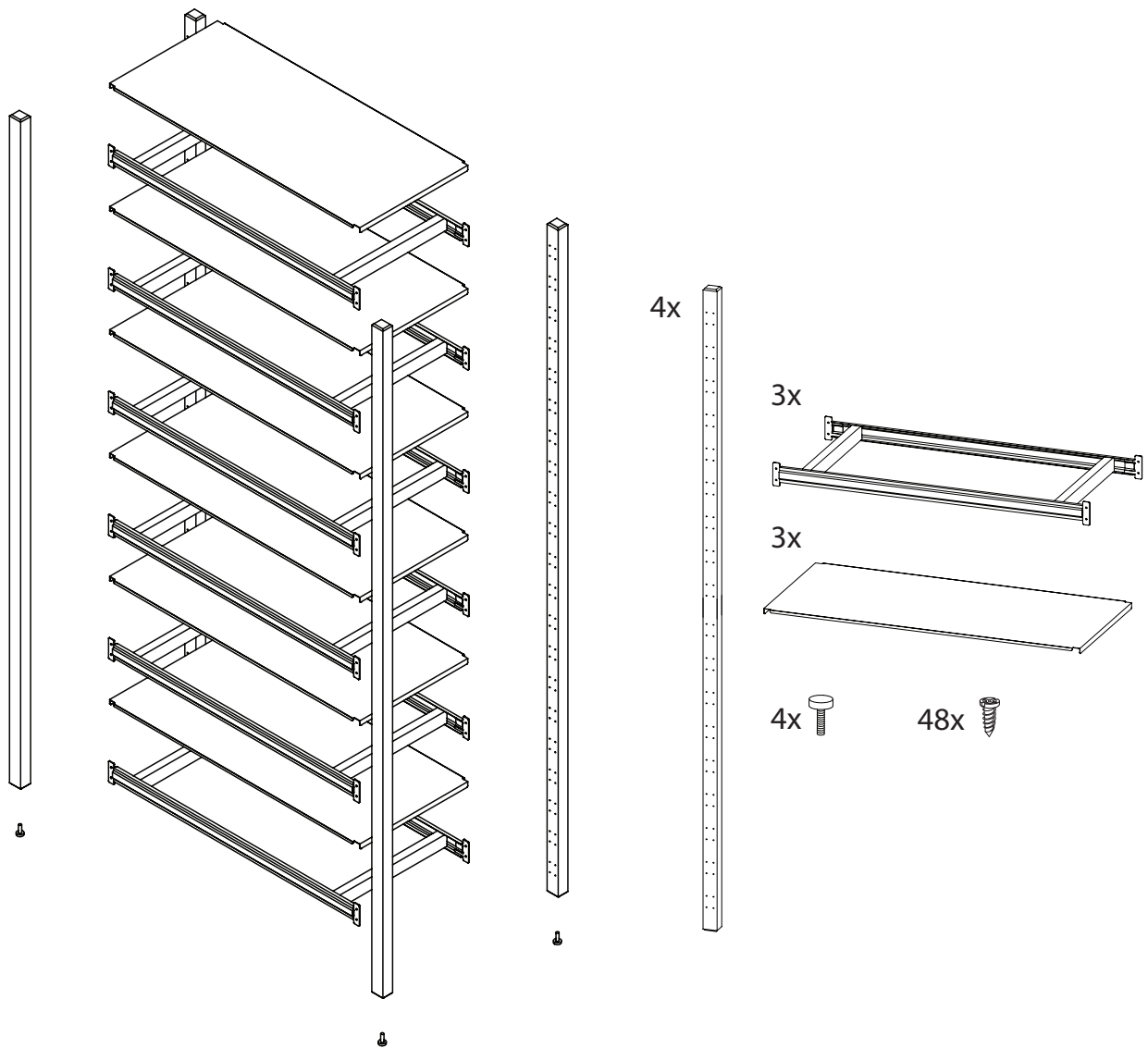


WORK

BOOKCASE HIGH 4 PILAR

ASSEMBLY INSTRUCTIONS

OVERVIEW

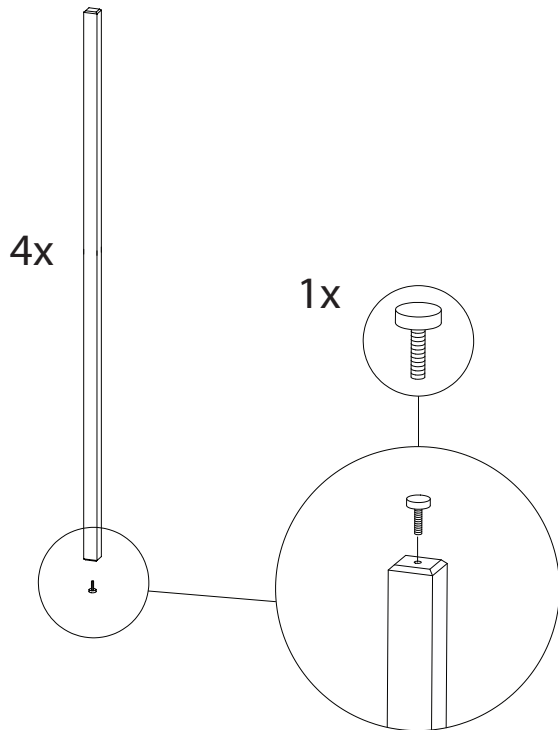


normann

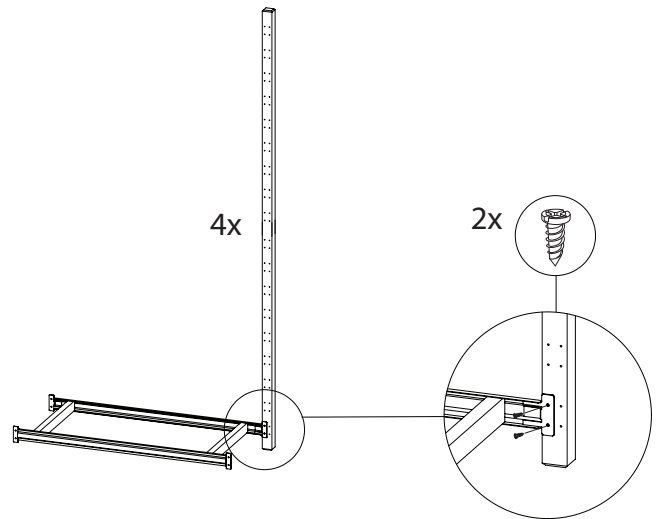
C O P E N H A G E N

WORK BOOKCASE HIGH 4 PILAR - ASSEMBLY MANUAL

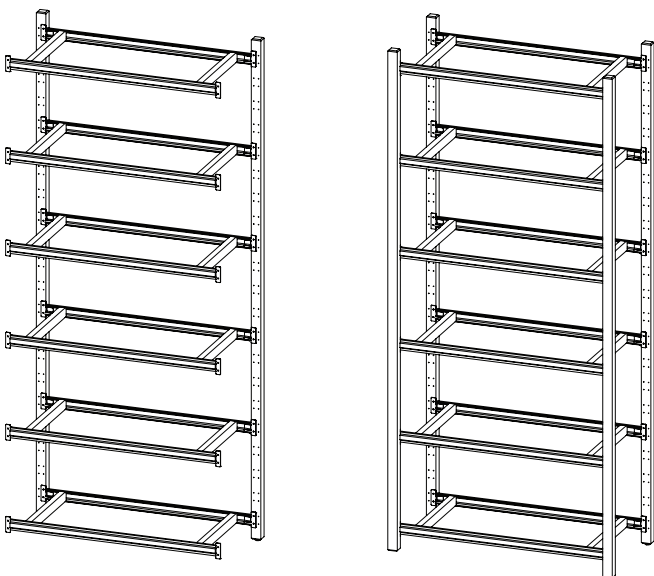
1



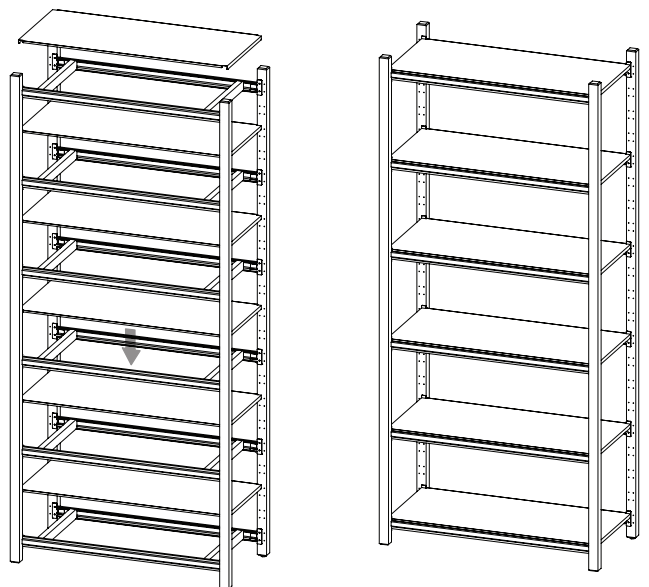
2



3



4



normann

C O P E N H A G E N

Normann Copenhagen · Østerbrogade 70
2100 Copenhagen Ø · Denmark · Tlf. +45 35 55 44 59
normann-copenhagen.com · normann@normann-copenhagen.com