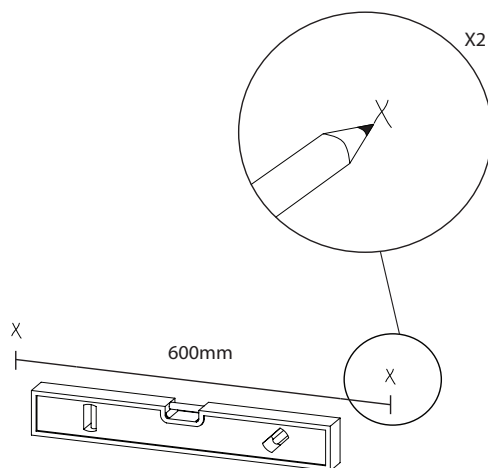
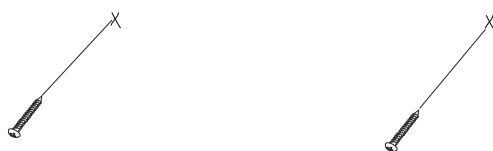


HOOP COAT RACK - ASSEMBLY INSTRUCTIONS

1  Drill size: 6mm

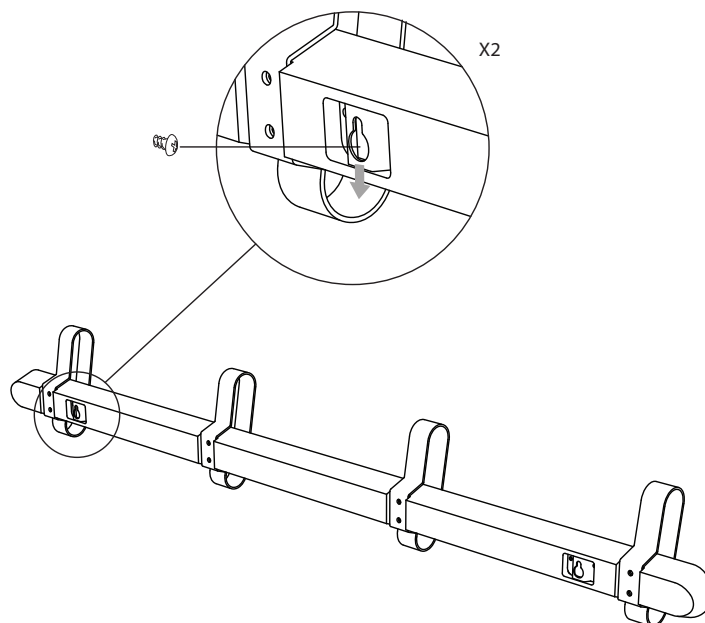


2



HOOP COAT RACK - ASSEMBLY INSTRUCTIONS

3



4

