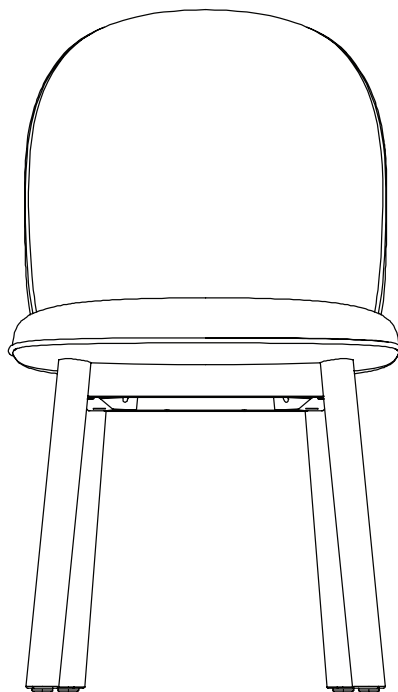


**normann**

**C O P E N H A G E N**

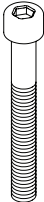


**ACE  
CHAIR  
ASSEMBLY  
INSTRUCTIONS**

OVERVIEW



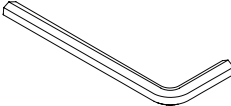
x 8



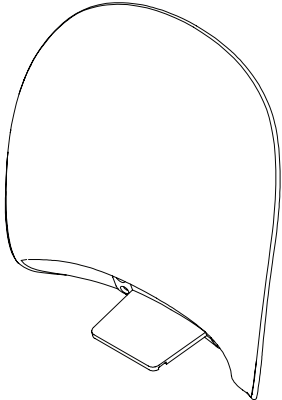
x 2



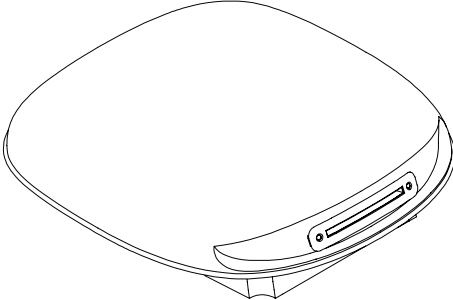
x 1



x 1



A x 1



B x 1



C x 2



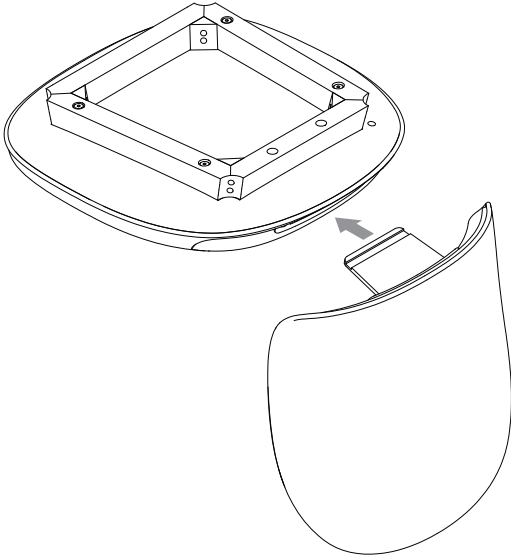
D x 2

**normann**

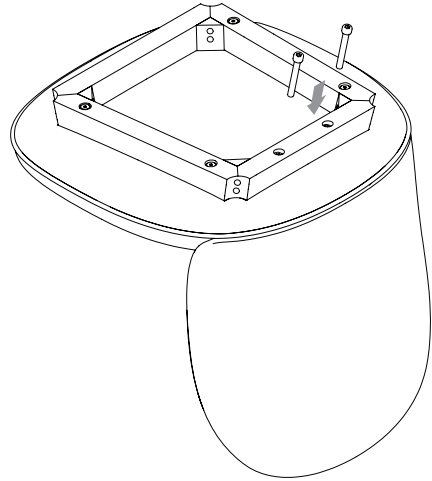
C O P E N H A G E N

**ACE CHAIR - ASSEMBLY MANUAL**

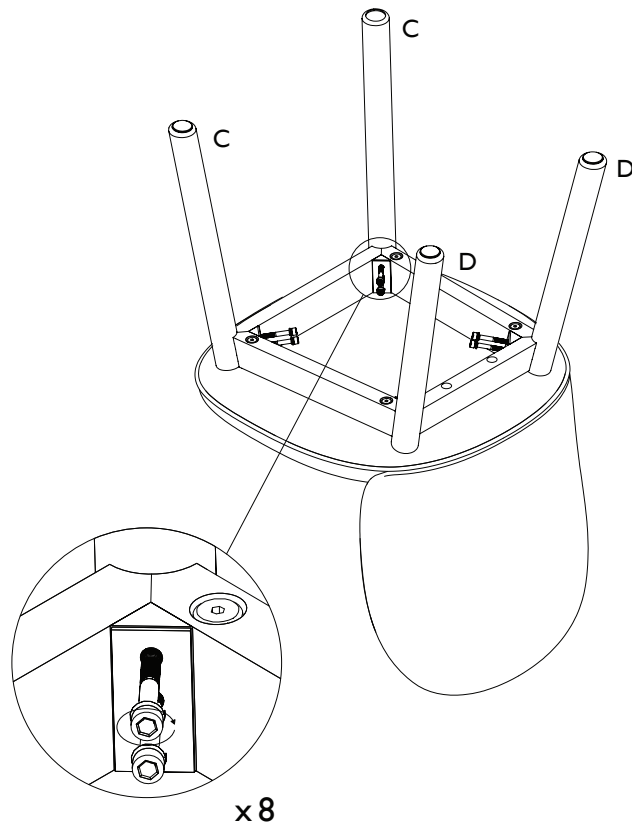
**1**



**2**



**3**



**normann**

C O P E N H A G E N

Normann Copenhagen · Østerbrogade 70  
2100 Copenhagen Ø · Denmark · Tlf. +45 35 55 44 59  
normann-copenhagen.com · normann@normann-copenhagen.com