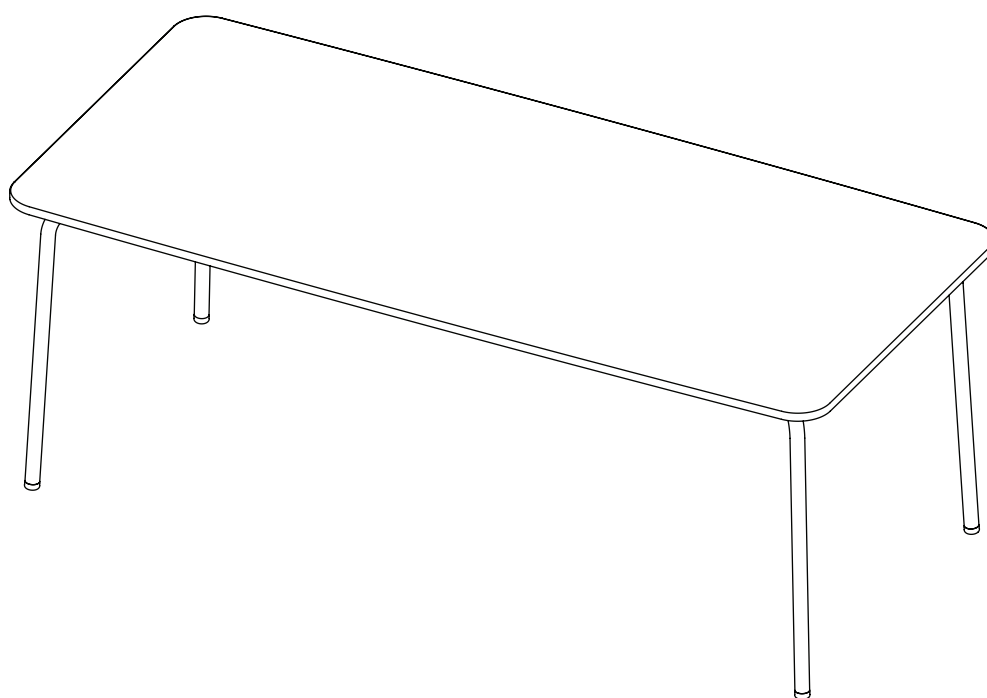


normann

C O P E N H A G E N



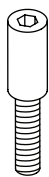
**MYTABLE
ASSEMBLY
INSTRUCTIONS**

normann

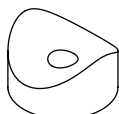
COPENHAGEN

MYTABLE - ASSEMBLY MANUAL

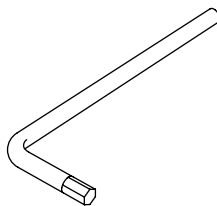
1



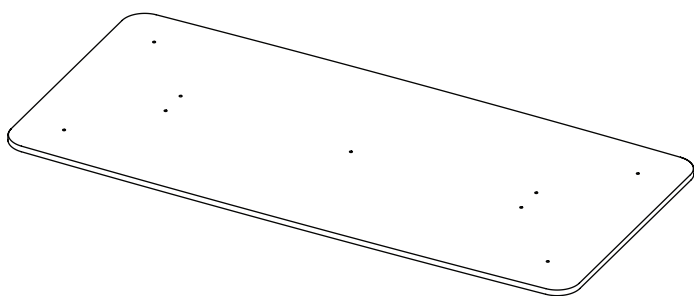
11 x



11 x



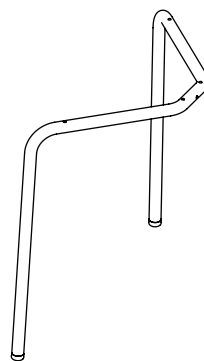
1 x



1 x

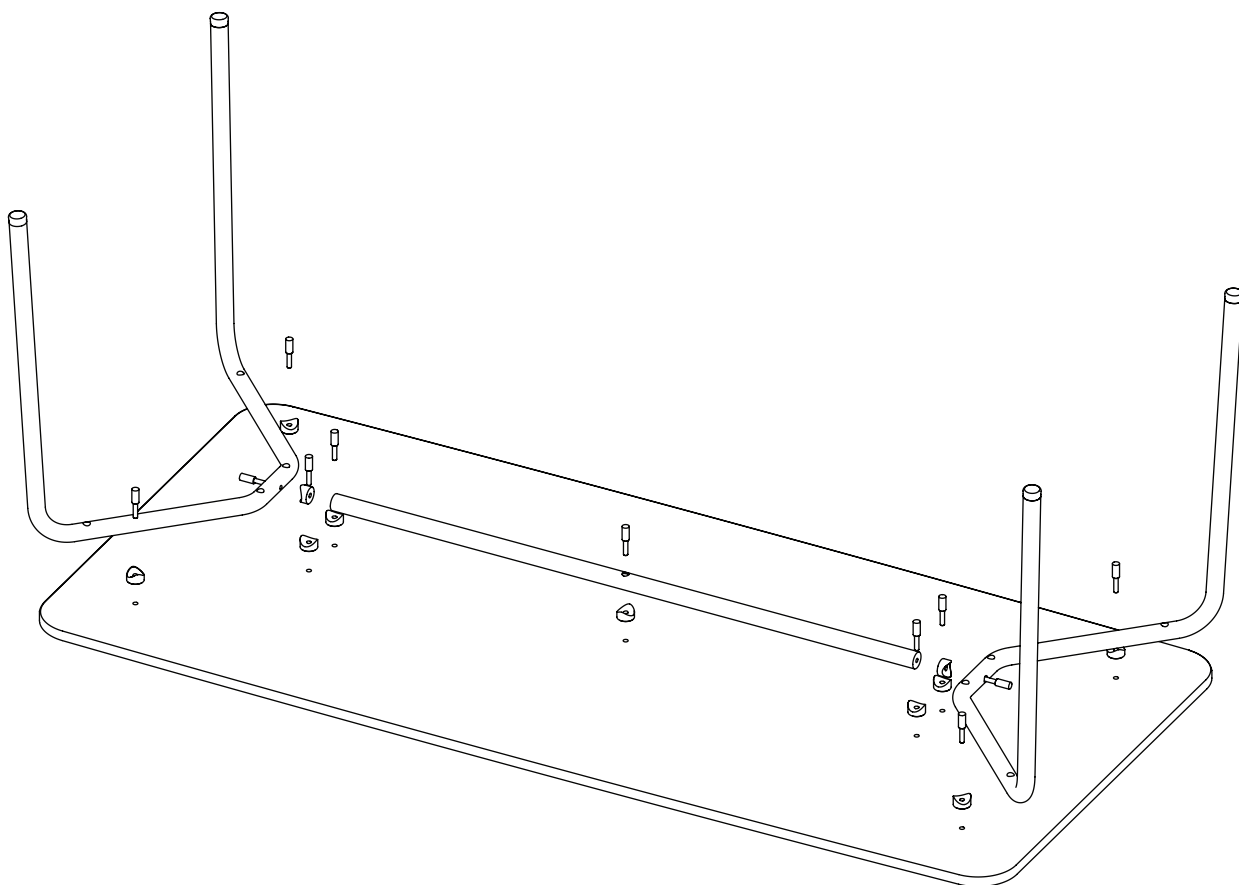


1 x

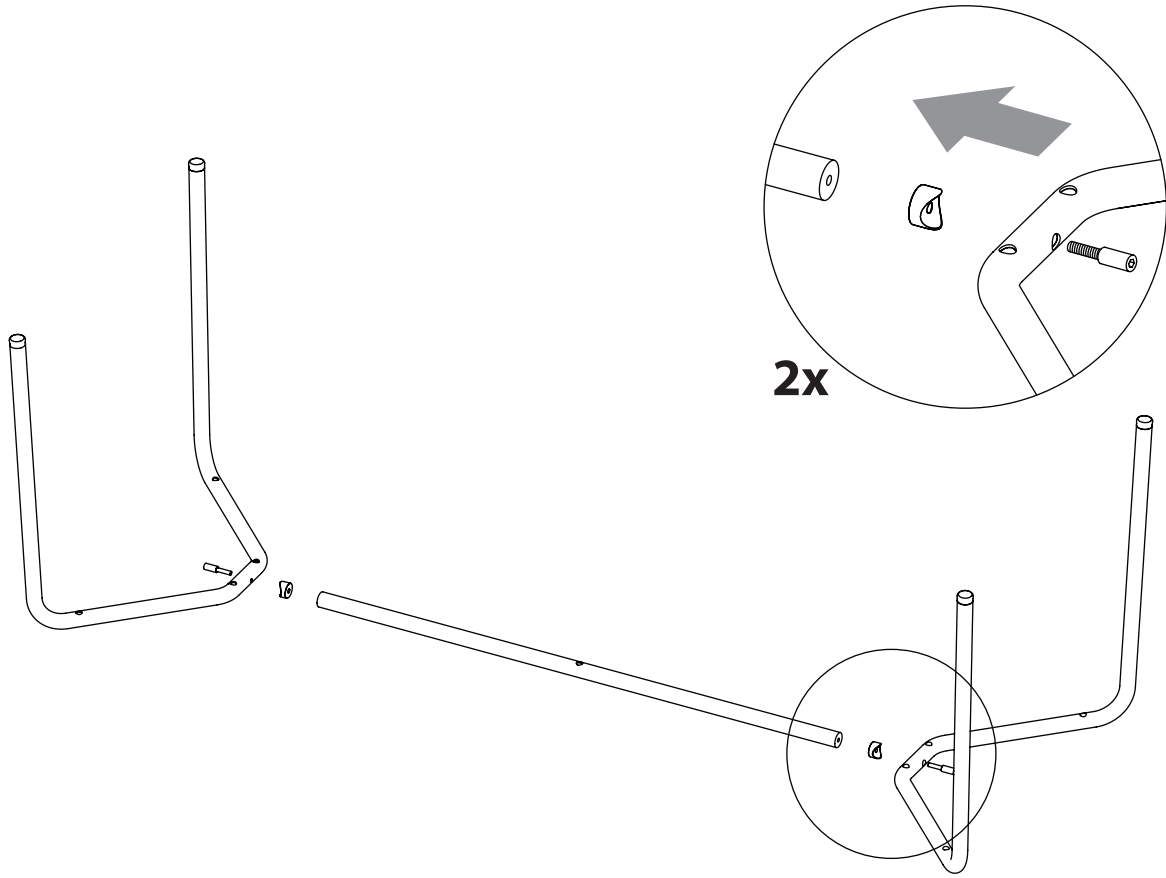


2 x

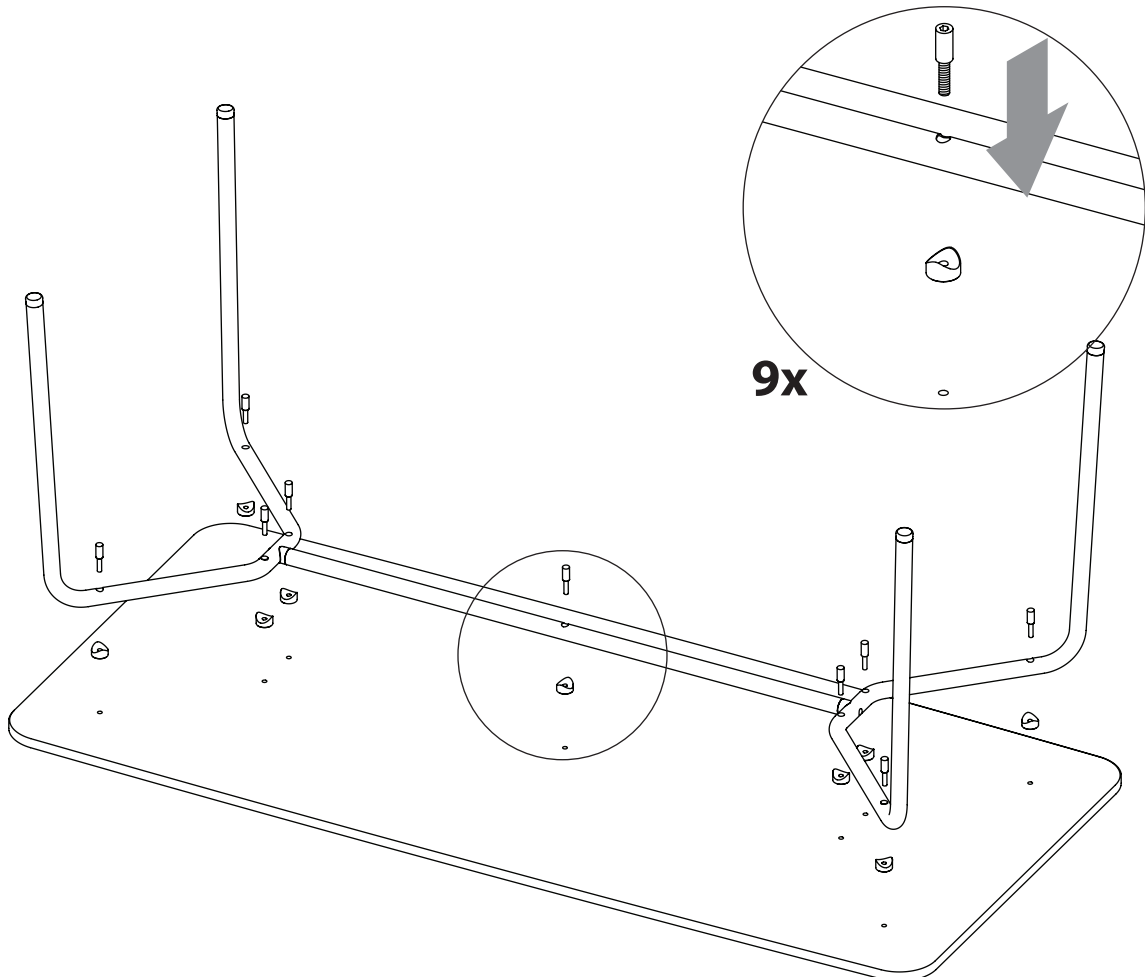
2



3



4



normann

C O P E N H A G E N

Normann Copenhagen · Østerbrogade 70
2100 Copenhagen Ø · Denmark · Tlf. +45 35 55 44 59
normann-copenhagen.com · normann@normann-copenhagen.com