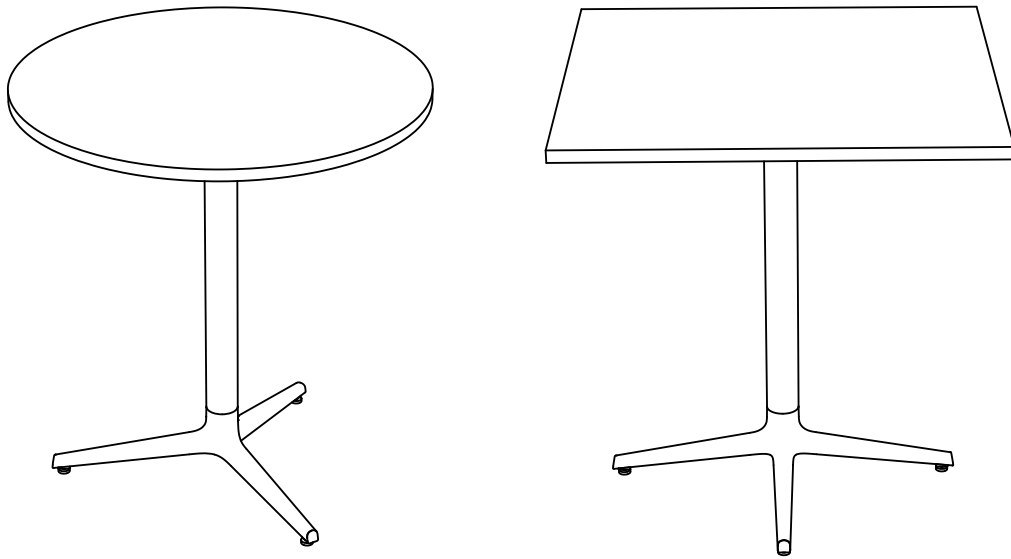


# Allez Table

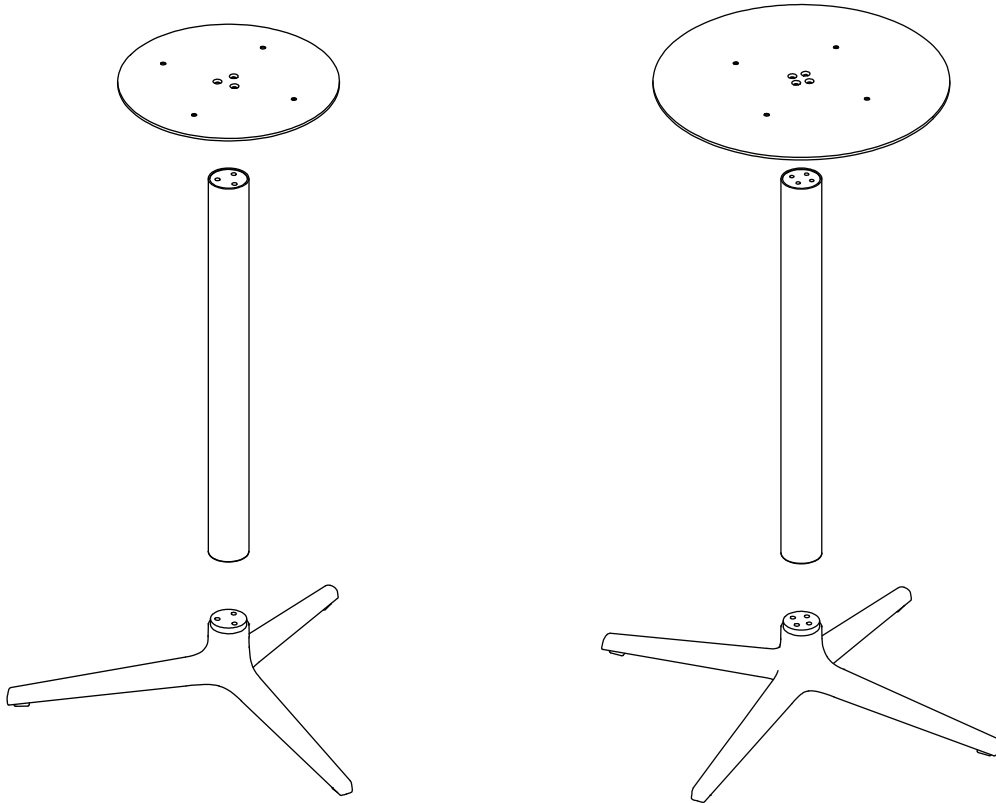
## Assembly instructions



**normann**

C O P E N H A G E N

1



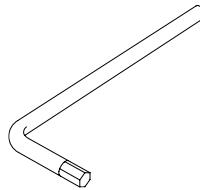
x3 /x4



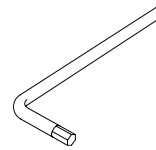
x3 /x4



x4



x1

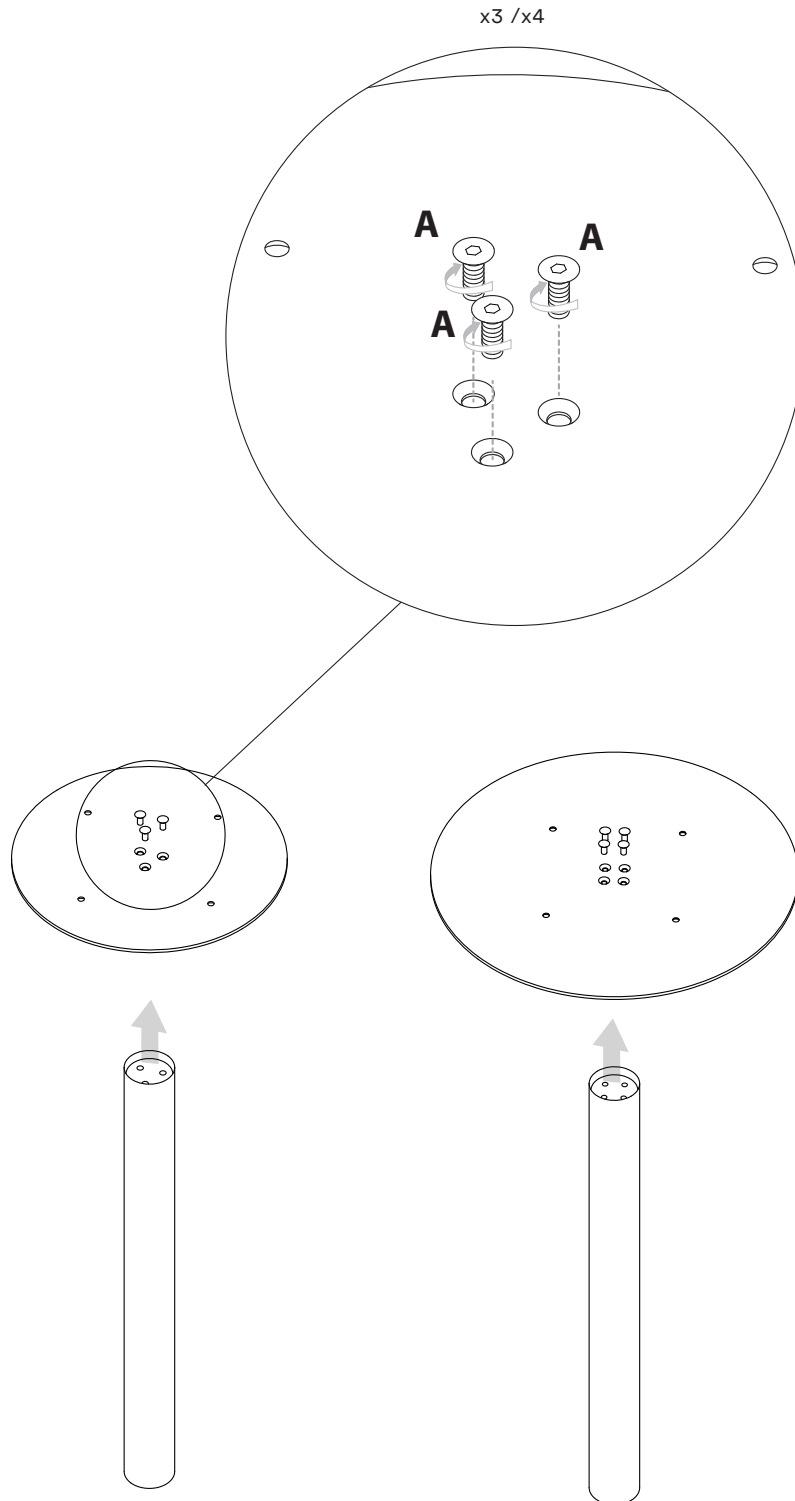


x1

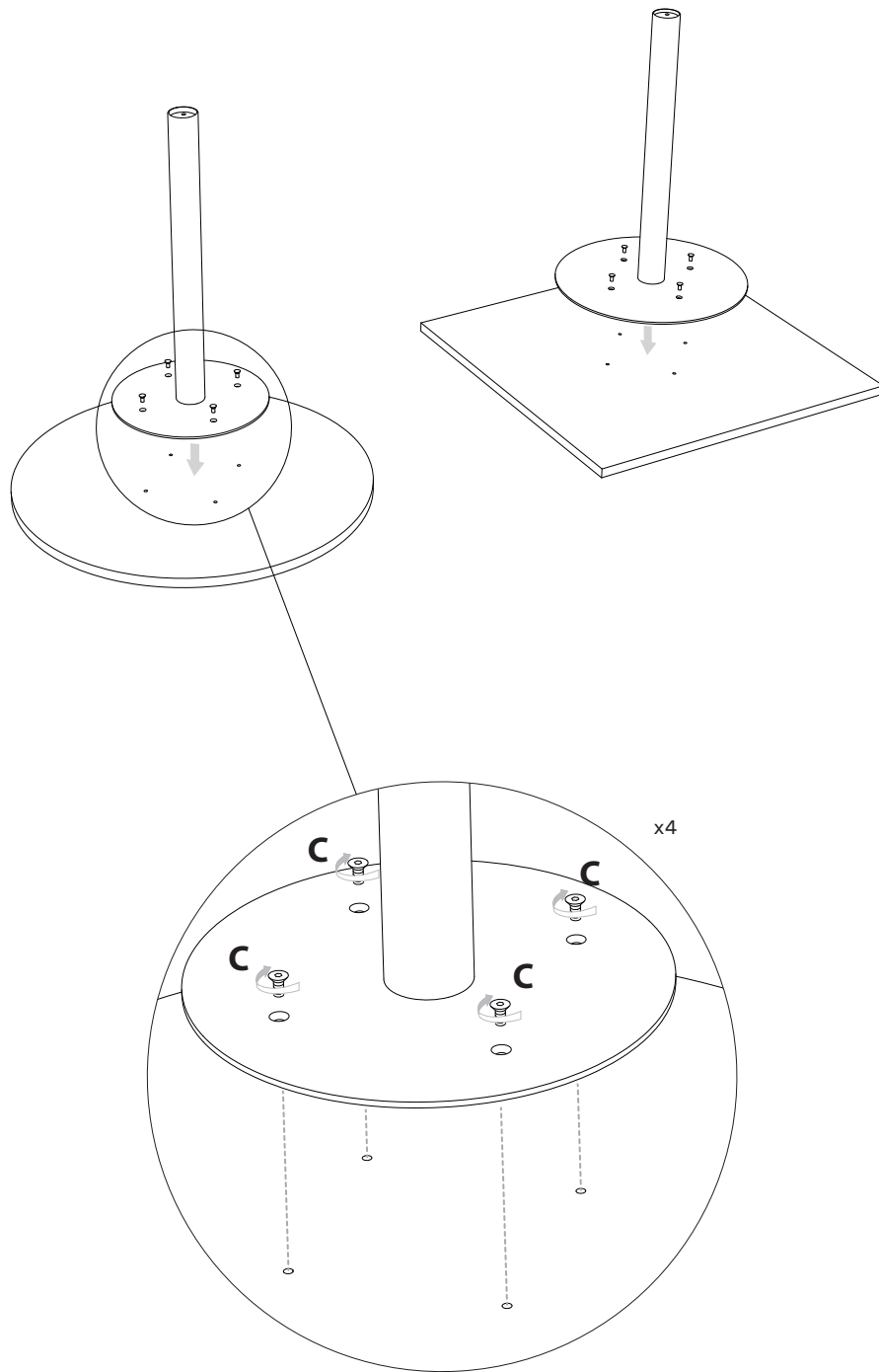
**normann**

C O P E N H A G E N

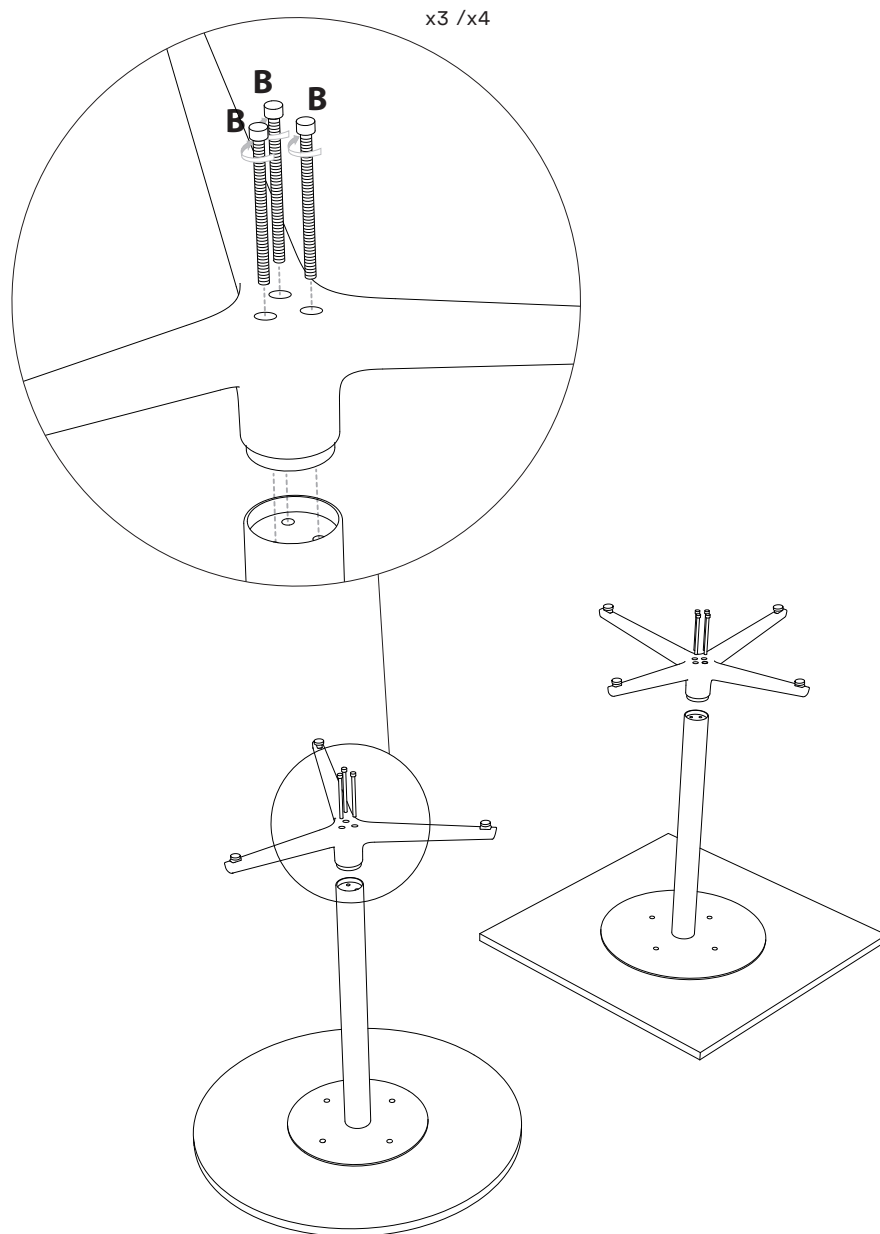
2



3



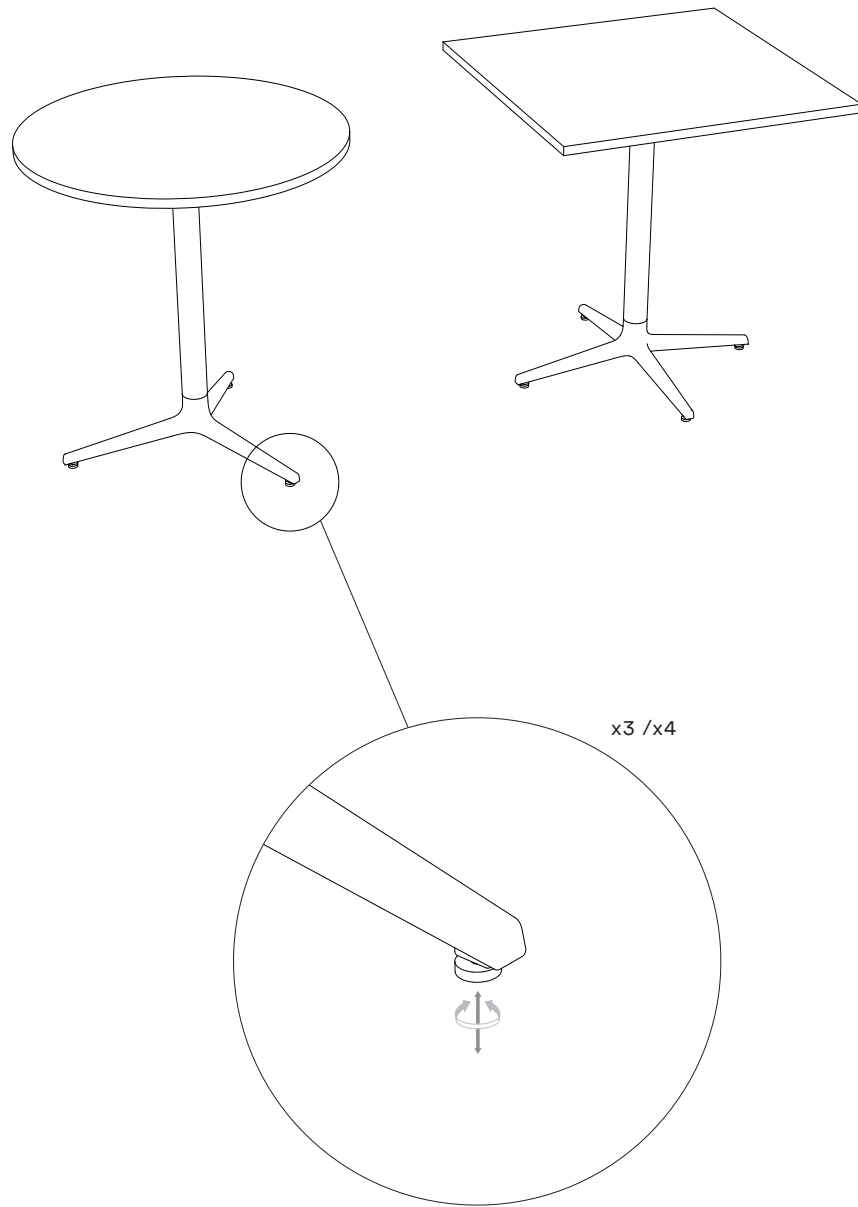
4



**normann**

C O P E N H A G E N

5



---

**normann**

C O P E N H A G E N